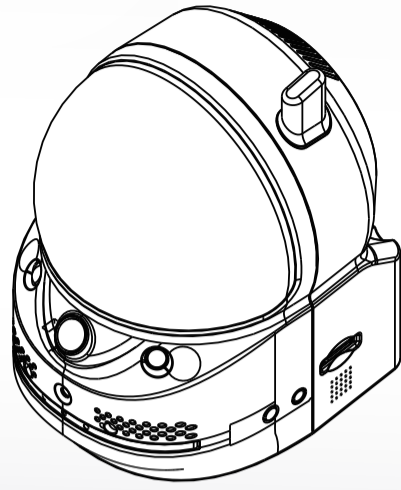


**RoboCam**

The Ultimate Remote Monitor

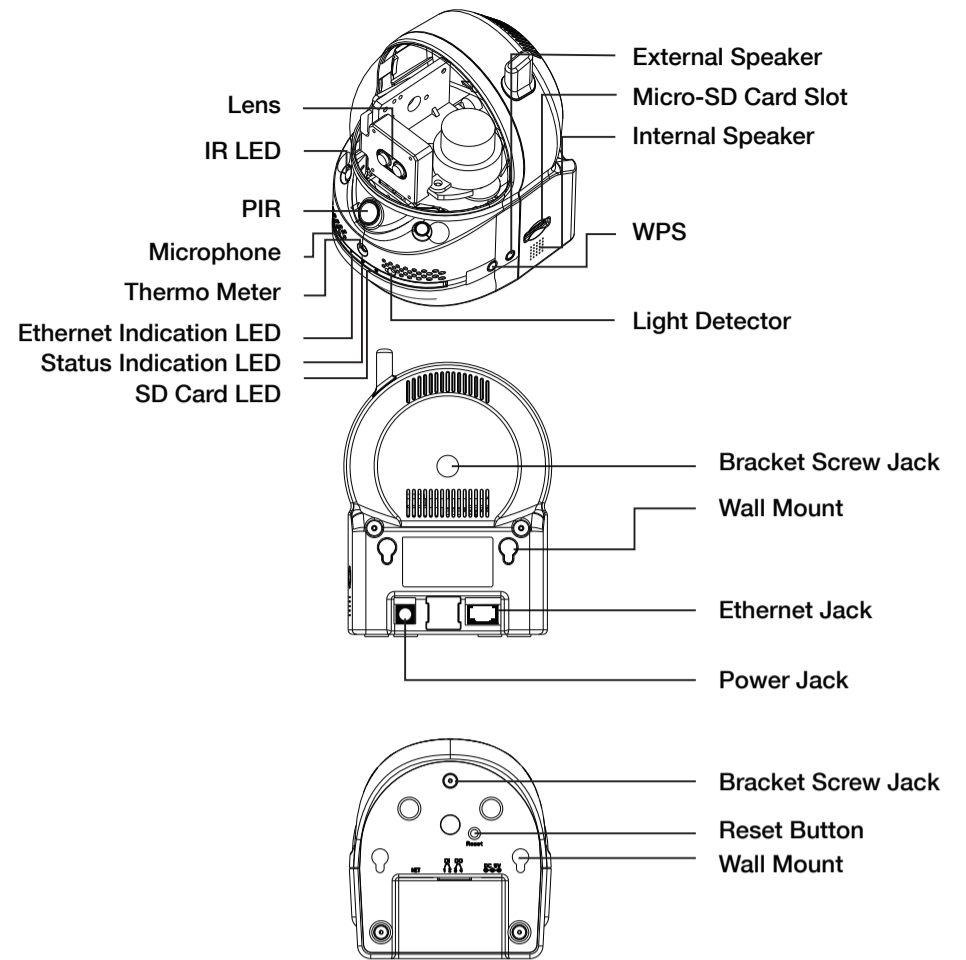
**PT13**

## Quick Installation Guide

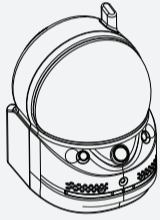


myRoboCam.com

## Product View



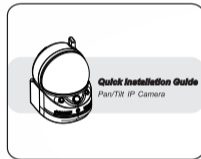
## Package Contents



IP Cam



ID/Password Card



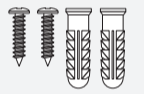
QIG



Power Adapter



Ethernet Cable



Anchors and Screws

Also ask for: (subject to availability)



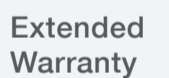
1 Click Router or Access Point



Video SD cards for Weeks or months



3 meter power adaptor and 3 meter extension



Extra peace of mind

## Frequently Asked Questions

### Is it possible to change RoboCam's viewing password?

Yes, follow step 4-2-1 and navigate to video from the left menu, choose video settings and change the password (play video), don't forget to scroll to the bottom and (save & apply).

### Is it possible to change RoboCam's admin [settings] password?

Yes, following the same steps as above, select Admin from the side menu and then change the password from Admin Login.

### What should I do if I forgot the password or lost the ID card?

You could press the "reset" button for five seconds. The RoboCam will be reset to the factory default settings. The default video-play password is "ipcam". and the default admin account is "admin" with no password.

### If I unplug RoboCam and turn it on later, do I need to configure it again?

That's not necessary, the camera will keep your network settings even if it was turned off and will connect automatically once restarted.

### What if I'm getting disconnected some times when I try to access RoboCams?

Strong WiFi signal must be available where the camera is installed, Under step 4-2-1 setup window, then Network>WiFi Security, you should get not less than three to four bars when you perform a WiFi Scan.

### How to access RoboCams remotely from my PC?

Right click [Camera List] in [Plug&View] and select [New Camera] add the Camera ID & password as per the card and you're done, if you're on the same network as RoboCams at the moment; you could also drag & Drop the Cam-ID from [Auto Search] into the [Camera List] Area.

### How can I check recorded video [playback] remotely?

For PC, right click the RoboCam in [Camera List]; then choose [SD Card Playback], For iPhone/iPad: [see Step 3], you can access the SD card Playback from the side arrow to the right of the camera name, scroll down and you'll find SD card Playback.

### How would I know if my camera is recording or not?

Check if the orange LED on the RoboCam labeled SD card is blinking.

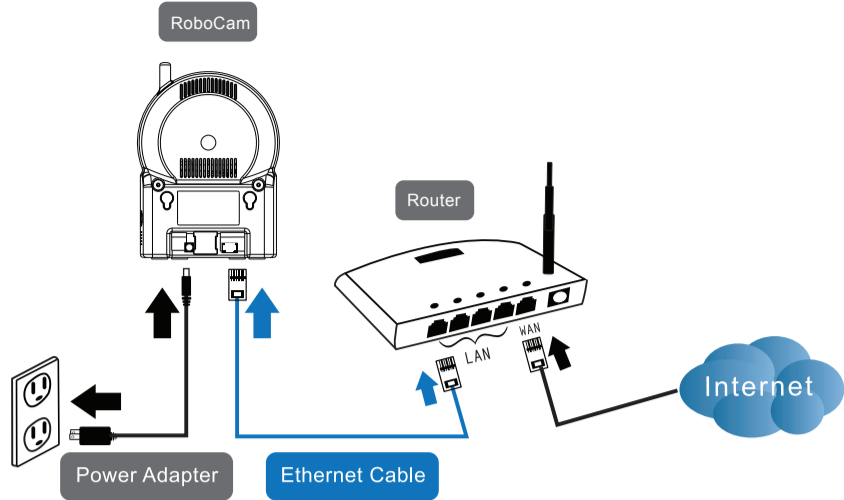
### What should I do if I cannot see the video remotely?

The red LED should be always on when the IP camera is connected to the Internet. If the red LED is blinking, please double check the network connection and settings.

### Can I disable the LED lights on the RoboCam?

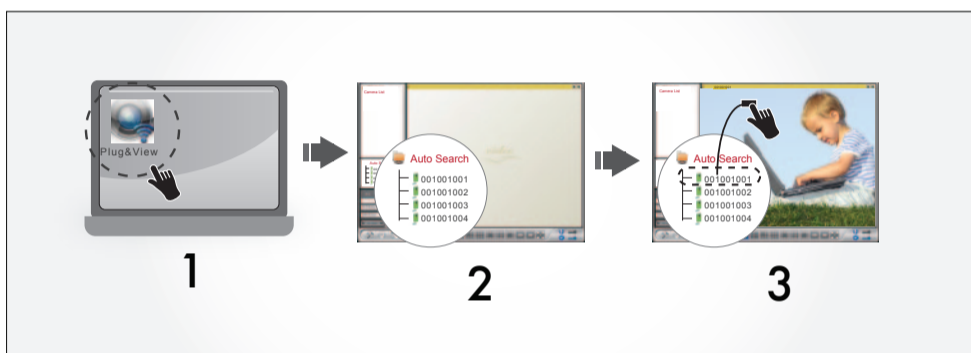
Yes, also under the Admin settings, see above step, there's the option for LED Control.

## Step 1 Connecting RoboCam [Wired]



1. Connect the power adapter.
2. Connect the Ethernet cable to the NAT/Router which is connected to the internet.
3. The IP camera will get IP address from the NAT/Router (with DHCP enabled) automatically and connect to internet. Check if the red LED of IP camera is always on. If it's blinking, please check step 1 and step 2 again.

## Step 2 PC Software



PC software could be found on <http://myrobocam.com/plugview.zip> or under downloads.

1. Execute the installed Plug&View software on the desktop or from "Start→Programs→Plug&View→Plug&View".
2. The "Auto Search" will display the IP camera in the local network.
3. Double click the camera and key in the password on the ID/password card to see the video.

- ① You can drag the camera on the "Auto Search" area to the "Camera List" area.
- ② You could also add new item on the "Camera List" area by "Camera List" → "New Camera" → Key in camera ID and Password.

## Step 3 iPhone/iPad/Android Apps



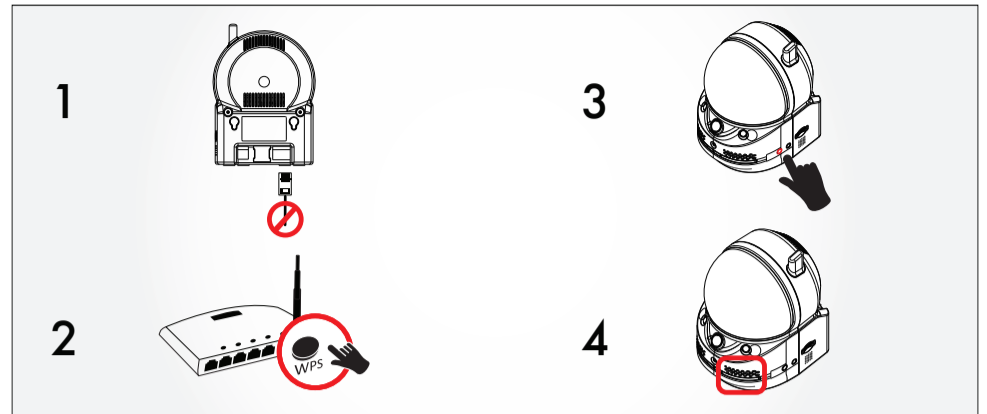
You can download the app that suits your smart phone:  
 "mEZviewerFree" – iPhone app  
 "mEZviewerPro" – Android app  
 "mEZviewerFull" – iPhone app (+push notifications +SD Playback)  
 "mEZviewerHD" – iPad app  
 "mEZviewerHDFull" – iPad app (+push notifications +SD Playback)  
 Then you could easily add RoboCams by entering the Cam ID & password

## Step 3-1 Adding Robocams to Apps

Once your Robocams are online, start the app and press the '+' sign under Camera List, simply give the Robocam a name and type in the ID and Password as per the card [or as per your new password if you changed it], then hit 'Done', you'll get a message confirming that your camera was added successfully and you'll find it under the Camera list, you could touch the camera icon to access live, as for settings and SD Playback you need to press the blue arrow to the right side of the camera icon.  
 Optionally, if you're on the same WiFi range as the cameras for the moment, you could perform (Local Search) in this case the search will find the Cam ID for you automatically.

## Step 4-1 Connecting RoboCam [WiFi]

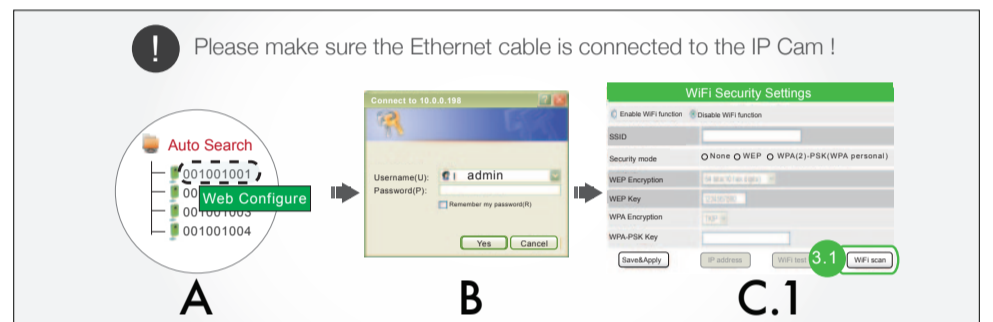
### If your router has a WPS button



1. Remove the Ethernet cable from the camera.
2. Press the WPS button on the NAT/Router.
3. Press the WPS button on the RoboCam.
4. The blue LED on the RoboCam will start blinking along with other LEDs. If the blue LED stops blinking and stays on for one minute, the wireless network is connected successfully.

## Step 4-2-1 Connecting RoboCam [WiFi]

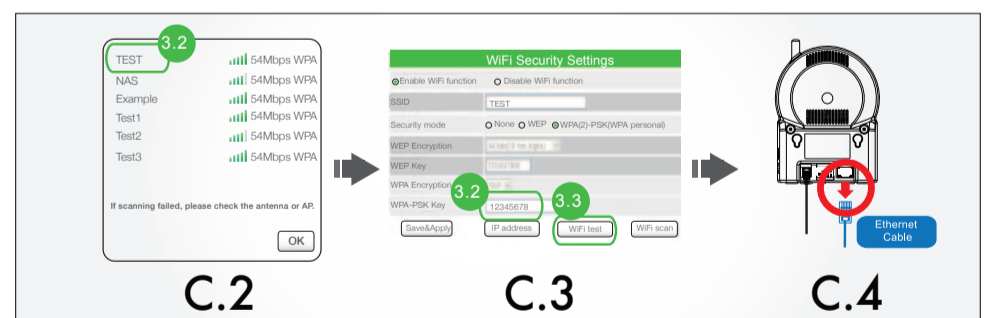
### If the router doesn't have a WPS button



- Right click camera on the "Auto Search" area and click "Web Configure".
- Key in the admin account and password to enter the web configuration page. Click "Network/WiFi Security" of the configuration menu.
- The default admin account is "admin", and no password.
- Four steps to setup the wireless connection:  
 C.1 Click the "WiFi Scan" button, all the available wireless AP will be listed in 10 seconds.

## Step 4-2-2 Connecting RoboCam [WiFi]

### If your router doesn't have a WPS button



- Choose the wireless AP and key in the encryption key.
- Click "WiFi test" button and wait for 20~40 seconds to verify if the encryption key is correct. If "WiFi test" failed, check "encryption key".

- ⚠ Please do not remove the Ethernet cable during WiFi test.
- C.4. If the "WiFi test" succeeded, remove the Ethernet cable from the IP camera to start the wireless connection.
- ⚠ The blue LED and red LED will be always on after wireless connection is successful.

**FCC Compliance Statement:** This equipment has been tested and found to comply with limits for a Class B digital device, pursuant to Part 15 of the FCC rules. These limits are designed to provide reasonable protection against harmful interference in residential installations. This equipment generates, uses, and can radiate radio frequency energy, and if not installed and used in accordance with the instructions, may cause harmful interference to radio communications.

However, there is no guarantee that interference will not occur in a particular installation. If this equipment does cause interference to radio or television equipment reception, which can be determined by turning the equipment off and on, the user is encouraged to try to correct the interference by one or more of the following measures: -Reorient or relocate the receiving antenna -Move the equipment away from the receiver-Plug the equipment into an outlet on a circuit different from that to which the receiver is connected.

-Consult the dealer or an experienced radio/television technician for additional suggestions. You are cautioned that any change or modifications to the device not expressly approved by the party responsible for compliance could void your authority to operate such device.

This device complies with Part 15 of the FCC Rules. Operation is subject to the following two conditions: 1) This device may not cause harmful interference. 2) This device must accept any interference received, including interference that may cause undesired operation.

FCC Caution: Any changes or modifications not expressly approved by the party responsible for compliance could void the user's authority to operate this equipment.

This transmitter must not be co-located or operating in conjunction with any other antenna or transmitter.

**Mobile Device Usage, Radiation Exposure Statement:** This device complies with FCC radiation exposure limits set forth for an uncontrolled environment. This device should be installed and operated with minimum distance 20cm between the radiator & your body.